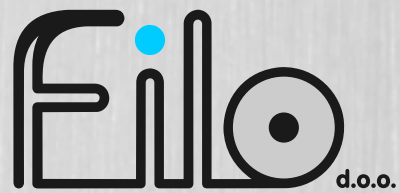


Cored wire
used for liquid
metal treatment



Filo
d.o.o.



FILO Ltd is a cored wire ISO 9001 certified producer with modern, fully automated production. Our control system provides our customers with precise, constant and high-quality cored wire.

We have optimized production lines for the production of cored wire with standard diameters of 9 mm, 13 mm and 16 mm, as well as other diameters, depending on customer request. Our cored wire is used in the steel industry and in ferrous and non-ferrous foundries.

We provide the best solutions for our customers by using our experience and wide range of knowledge in this field. We believe that we can improve and develop together with our customers, by thoroughly evaluating their needs from their feedback.

Good partnership is our goal and motivation for the technologically challenging projects we plan for the future.



FILO CORED WIRE FOR STEEL PLANTS

Name	Available grades	Available diameter
FC Ca	min. 98%Ca	9, 13 mm
FC CaSi Standard	28 - 33%Ca, 58 - 63%Si	9, 13, 16 mm
FC CaSi custom	10 - 60%Ca	9, 13, 16 mm
FC CaFe	20%Ca, 30%Ca, 40%Ca, ...	9, 13, 16 mm
FC CaFeAl	30% - 40%Ca, 30 - 40%Al	9, 13, 16 mm
FC S	min. 99,5%S	9, 13, 16 mm
FC C	98 - 99,9%C	9, 13, 16 mm
FC Al	96 - 99,5%Al	9, 13, 16 mm
FC FeTi70 Standard	68 - 72%Ti	9, 13, 16 mm
FC FeTi70S Special	on request	9, 13, 16 mm
FC FeSi special	on request	9, 13, 16 mm
FC CeLa	Material tailored to the customer	9, 13, 16 mm
Available other materials	on request	9, 13, 16 mm



FILO CORED WIRE FOR FOUNDRIES

USE	Name	Available grades	Available diameter
Mg Treatment	FN Mg	97 - 99,8%Mg	9, 13, 16 mm
	FN FeSi+Mg	Material tailored to the foundries	9, 13, 16 mm
	FN FeSi+Mg+Re	Material tailored to the foundries	9, 13, 16 mm
Inoculation	FI FeSi	72 - 75%Si	9, 13, 16 mm
	FI on basis FeSi	Material tailored to the foundries	9, 13, 16 mm
Carbon	FG GC	min. 99,9%C	9, 13, 16 mm
Available other materials		on request	9, 13, 16 mm



FILO PACKING OF CORED WIRE

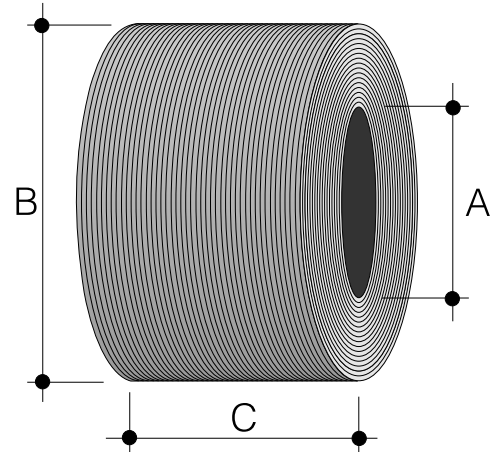
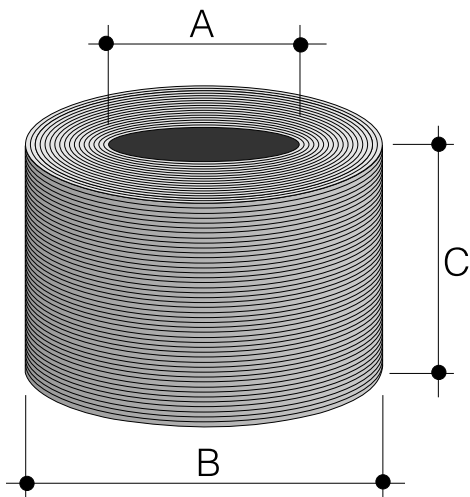
V – vertical	with wooden pallet and steel cage
	with steel pallet and steel cage
H – horizontal	with wooden pallet and steel cage
	with steel pallet and steel cage



BASIC MEASURES OF COILS (STANDARD VALUES)

VERTICAL or HORIZONTAL			
WIRE	Dimensions		
	A (mm)	B (mm)	C (mm)
Ø 9	Ø 650	1100	850 - 1150
Ø 13	Ø 650	1300	850 - 1150
Ø 16	Ø 650	1300	850 - 1150

Other measures as per customer's requests.







FILO d.o.o., Jurčičeva ulica 8
SI-2000 Maribor, Slovenia
Production: Tovarniška cesta 5 I
SI-2342 Ruše, Slovenia
tel.: 00386 83 863 206
fax: 00386 83 863 207
mobil: 00386 51 641 565
e-mail: info@filo-company.com

www.filo-company.com

